



[MÉXICO]
ANTES DE DEVOLVER EL
PRODUCTO A LA TIENDA:

Comuníquese Con Servicio Al
Cliente De Huffy. Nos Complace
Ayudarlo Con Cualquier Parte
O Problema De Ensamblado
Que Pudiera Tener.

Para obtener Servicio al cliente
rápido, visite:

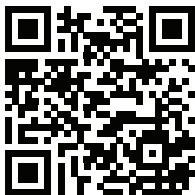
<http://www.huffybikes.com/>
O LLAME AL TEL: 01800 1483 391
(Mexico only)

Para comunicarse por correo electrónico:
servicio@huffymex.com

<http://www.huffybikes.com/home/globalcontact>

for current contact information
para obtener la información de contacto actual
pour les informations de contact actuelles

For Assembly Help:
Ayuda de la Asamblea:
Aide à l'assemblage :



[In the US and Canada]
PLEASE - BEFORE RETURNING TO STORE:

Contact Huffy Customer Service. We
are glad to assist you with any parts or
assembly problems you might have!

~

VEUILLEZ NOTER : AVANT DE
RETOURNER AU MAGASIN :

Communiquez avec le service à la clientèle
de Huffy. Nous vous aiderons volontiers
avec tout problème concernant les pièces
ou le montage!

For Fast Customer Service, go to:

Pour un Service à la clientèle rapide, visitez le :
<http://www.huffybikes.com/contact>

To Order Parts (US), go to:

Pour obtenir des pièces (CANADA), visitez le :
<http://www.huffybikes.com/parts>

OR TEL: 1 800 872 2453 (US only)

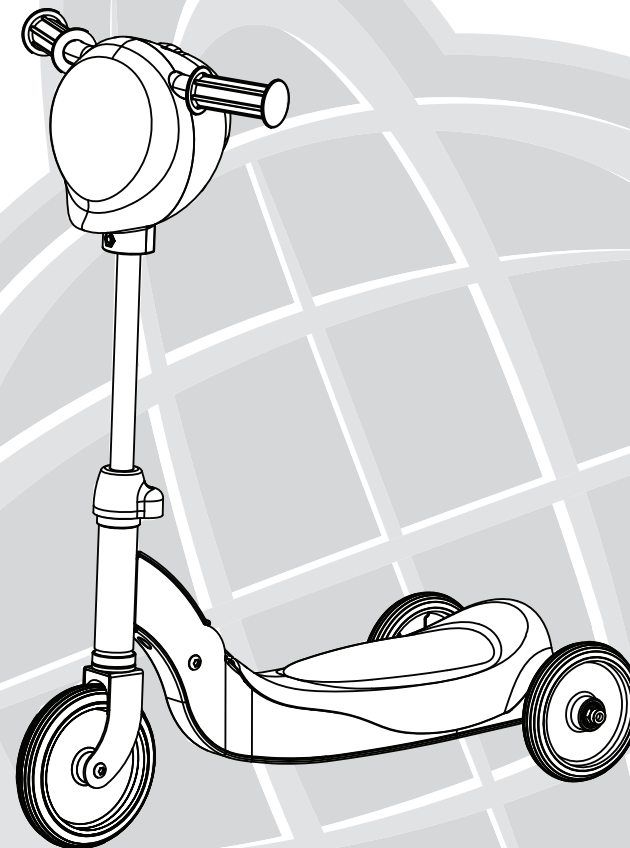
OU appelez le 1 800 872 2453 (CANADA seulement)

For email, go to <http://www.huffybikes.com/contact>
Pour communiquer par courriel, visitez le huffycanada@huffy.com

H-Tri_STOP-GlobaL_12-03-18_i0388

HUFFY

Owner's Manual 3-Wheel Storage Scooter



THIS MANUAL CONTAINS IMPORTANT SAFETY, ASSEMBLY,
OPERATION AND MAINTENANCE INFORMATION.

PLEASE READ AND FULLY UNDERSTAND THIS MANUAL
BEFORE OPERATION.

Save this manual for future reference.

Date Code Label
Here



Manual Index

• Safety Information	2-3
• Assembly	4-6
• Maintenance and Operation	7
• Parts Listing	8-9
• Warranty	10

Tools Required For Assembly


- Spanner Wrench (3 included)
- Phillips Screwdriver

Note: Some models have accessories: Install the accessories (plaque, bell, pad, streamers – if equipped) onto the handlebar to complete the assembly.

PLEASE READ AND FULLY UNDERSTAND THESE INSTRUCTIONS BEFORE OPERATION

Scooter Safety Information

Scooters, like all wheeled vehicles, will provide safe, enjoyable transportation and recreation when used and maintained properly. Like bicycling, skateboarding, and in-line skating, riding a scooter can be dangerous even under the best of circumstances. We do not want you to get hurt. Please follow these safety rules.

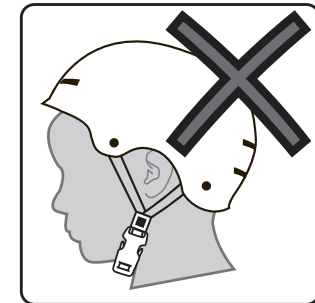
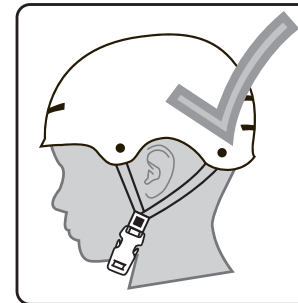
 This symbol is important. It is the WARNING symbol. The warning symbol precedes safety instructions. Make sure the child understands these instructions. Failure to follow these instructions may result in injury to the rider or to others, or damage to the product.

WARNING TO AVOID SERIOUS INJURY:

- Adult assembly is required.
- CHOKING HAZARD. Small parts. Not for children under 3 years.
- Adults must assist children in the initial adjustment procedures to unfold the scooter (if model is designed to fold), adjust handlebar and steering to height, and finally to fold the scooter.
- Adult supervision is required.
- Battery replacement must be performed by an adult.
- This product should only be used by persons 3+ years. Maximum weight is 60 lbs (27kgs).
- Do not allow a child to ride without an approved helmet, with the chinstrap securely fastened.
- Ensure the child always wears safety equipment such as helmet, knee pads, elbow pads and shoes.



WARNING: ALWAYS WEAR YOUR HELMET WHEN RIDING THIS PRODUCT!



- Helmet should sit level on your head and low on your forehead
- Adjust the strap sliders below the ear on both sides.
- Buckle the chin strap. Adjust strap until it is snug.
- No more than two fingers should fit between the strap and your chin.
- A proper fitting helmet should be comfortable and not rock forward/backward or side to side.
- Always read the user manual that comes with your helmet to make sure it is fitted and attached properly to the wearer's head according to the fitting instructions described in the user manual.

Check
www.Huffybikes.com/contact
for the current contact information

HUFFY

Limited Warranty - US

General:

Part or model specifications are subject to change without notice.

This Limited Warranty is the only warranty for the product. ALL WARRANTIES OTHER THAN STATED HEREIN ARE DISCLAIMED INCLUDING IMPLIED WARRANTIES OF MERCHANTABILITY AND FITNESS FOR A PARTICULAR PURPOSE, TO THE EXTENT ALLOWABLE BY APPLICABLE LAW. ALL LIABILITY FOR INCIDENTAL, PUNITIVE, SPECIAL, OR CONSEQUENTIAL DAMAGES ARE EXPRESSLY DISCLAIMED, TO THE EXTENT ALLOWABLE BY APPLICABLE LAW.

The only uses for this product are described in this manual.

Warranty registration is not required.

The Limited Warranty extends only to the original consumer and is not transferable to anyone else.

What does this Limited Warranty cover?

This Limited Warranty covers defects in workmanship and materials for all parts of the product except those indicated below as not warranted.

What must you do to keep the Limited Warranty in effect?

This Limited Warranty is effective only if:

- Product is completely and correctly assembled.
- Product is used under normal conditions for its intended purpose (see the following section for excluded activities).
- Product receives all necessary maintenance and adjustments.
- Product is used for general transportation and recreational use only.

What is not covered by this Limited Warranty?

This product is designed for recreational use only. This Limited Warranty does not cover normal wear and tear, normal maintenance items, or any damage, failure, or loss that is caused by improper assembly, maintenance, adjustment, storage, or use of the product. This Limited Warranty does not extend to future performance.

This Limited Warranty will be void if the product is ever:

- Used in any competitive sport
- Used for stunt riding, jumping, aerobatics or similar activity
- Modified in any way

- Modified with the addition of a motor
- Ridden by more than one person at a time
- Rented, sold, or given away
- Used in a manner contrary to the instructions and warnings in this Owner's Manual

What will The Manufacturer do?

Manufacturer's sole and exclusive obligation under this Limited Warranty is to repair and/or replace, at its sole option, any covered defect in workmanship or materials.

How do you get service?

Contact the Customer Service Department.

- See included list for Customer Contact information.

What rights do you have?

This Limited Warranty gives you specific legal rights. You may also have other rights which vary from State to State.

For how long does this Limited Warranty last?

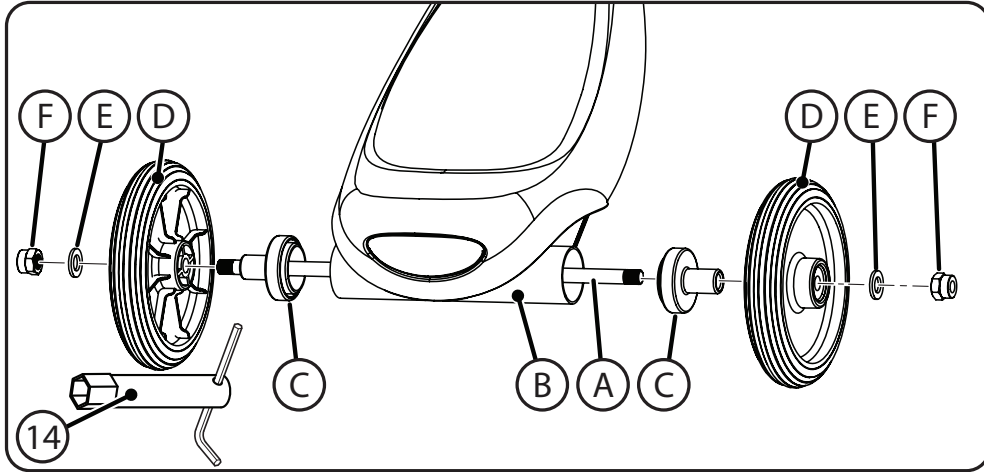
- When used in this Limited Warranty, the phrase "for life" means for as long as the original consumer owns the product.
- Frame/Fork: six months
- Wheels: 90 days
- All other parts- six months

Scooter Safety Information - continued

- Do not allow a child to ride wearing anything that obstructs visibility or hearing.
- Do not allow a child to ride the product at dusk, at night or at times of limited visibility.
- Do not allow a child to ride on streets, roadways or alleys.
- Do not allow a child to ride on or near sloped driveways, hills, ditches, swimming pool areas, water, sand, gravel, dirt, leaves, or any other hazardous areas.
- Do not allow a child to ride near steps.
- For use on smooth paved surfaces only, away from motor vehicles.
- Avoid sharp bumps, drainage grates and sudden surface changes. Unit may suddenly stop.
- Never ride with more than one person.
- Watch out for pedestrians. Avoid excessive speed.
- Wet weather impairs traction and visibility.
- Obey all local traffic and scooter riding laws and regulations.
- Check the product before each ride to determine if any potentially hazardous parts or conditions have developed.
- Replace worn or broken parts immediately.
- Be sure the rider keeps both hands on the handlebar for proper control.
- Handlebar hand grip or tube end plugs should be replaced if damaged as bare tubes have been known to cause injury. All products with capped handlebar ends should be checked regularly to ensure that adequate protection for the ends of the handlebars are in place.
- Replacement forks must have the same rake and tube inner diameter as the original product.
- Ensure any accessories supplied are secure to the product and do not interfere with operation of the unit.
- THIS PRODUCT DOES NOT HAVE A BRAKE.

If you have any questions regarding the operation of this product, please refer to this owners manual or contact customer service.

Assemble Rear Axle and Wheels



STEPS:

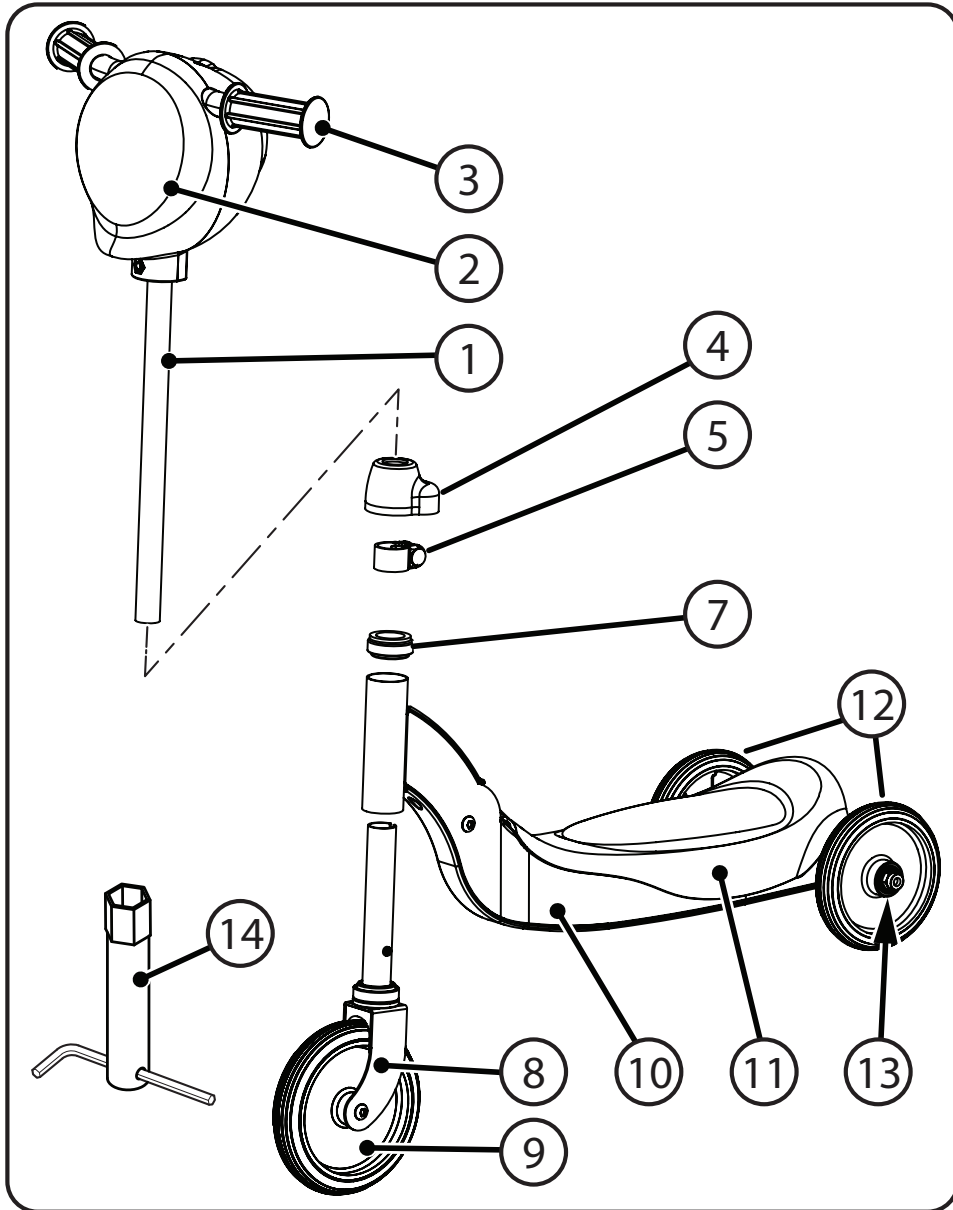
1. Install two Axle Bushings (C) **fully** into Frame (B) with long end facing OUT as shown. (may be pre installed by factory.)
2. Install one Locknut (F) and Washer (E) on end of Axle (A). (may be pre installed by factory.)
3. Place one Wheel (D) on Axle against Washer and Locknut with flat wheel/graphic side facing OUT.
4. Install Wheel/Axle through Rear Frame (B) and Bushings (C) as shown.
5. Install other Wheel (D) onto Axle.
6. Install other Washer (E) and Locknut (F) onto Axle as shown.
7. Tighten Locknuts (F) securely using two included plastic Spanner Wrenches (14).

CAUTION: Do not over-tighten Locknuts. Make sure wheels spin freely and evenly.

Parts Assembly List

#	Description:	#	Description:
1	Steering Tube	8	Fork
2	Storage Unit/Handlebar	9	Front Wheel
3	Grips (x2)	10	Frame
4	Clamp Cover	11	Storage Cover
5	Clamp	12	Rear Wheels (x2)
6	Not used	13	Rear Wheel Axle and Hardware
7	Headset Bushing	14	Metal Spanner Wrench (x2)

Parts Assembly List



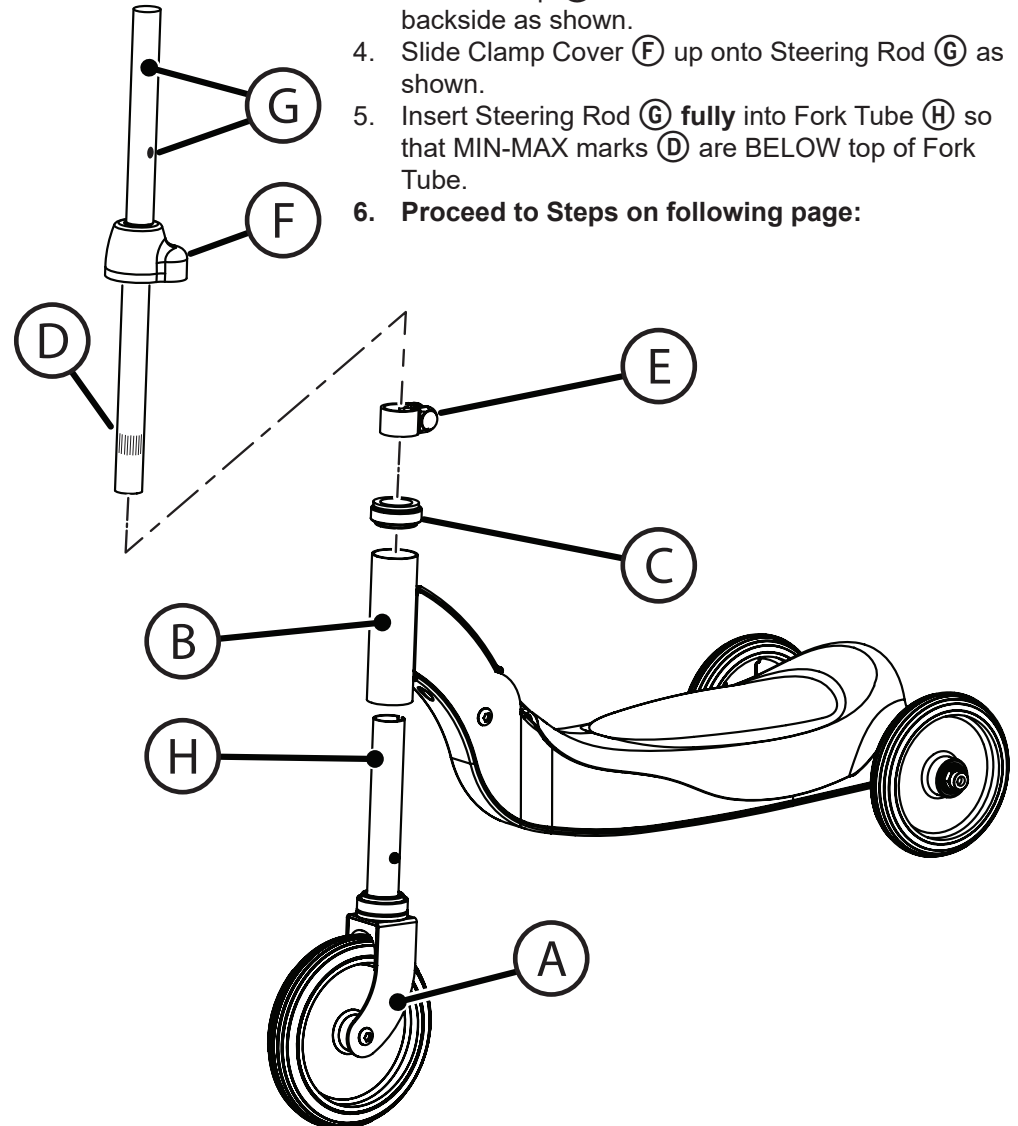
Handlebar and Fork Assembly

STEPS:

NOTE:

- Remove and discard plastic end caps from Steering Rod (G) and Fork Tube (H).
- Make sure Hole in Steering Rod (G) is on UP side of Rod.

1. Insert Fork Assembly (A) up through Frame (B) fully.
2. Place Head Bushing (C) over Fork Tube and fully into Frame.
3. Place Clamp (E) onto Fork Tube so bolt is on the backside as shown.
4. Slide Clamp Cover (F) up onto Steering Rod (G) as shown.
5. Insert Steering Rod (G) fully into Fork Tube (H) so that MIN-MAX marks (D) are BELOW top of Fork Tube.
6. Proceed to Steps on following page:



Assemble Head Unit

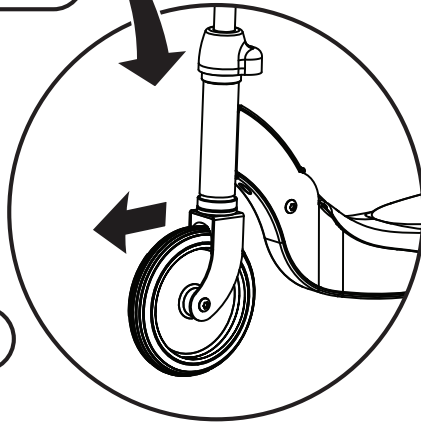
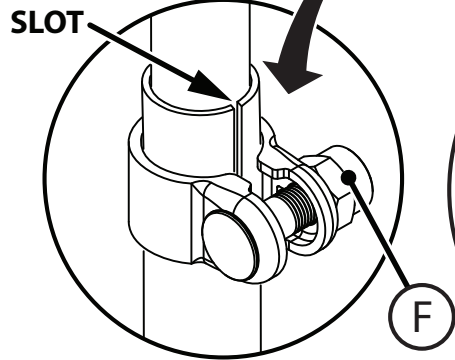
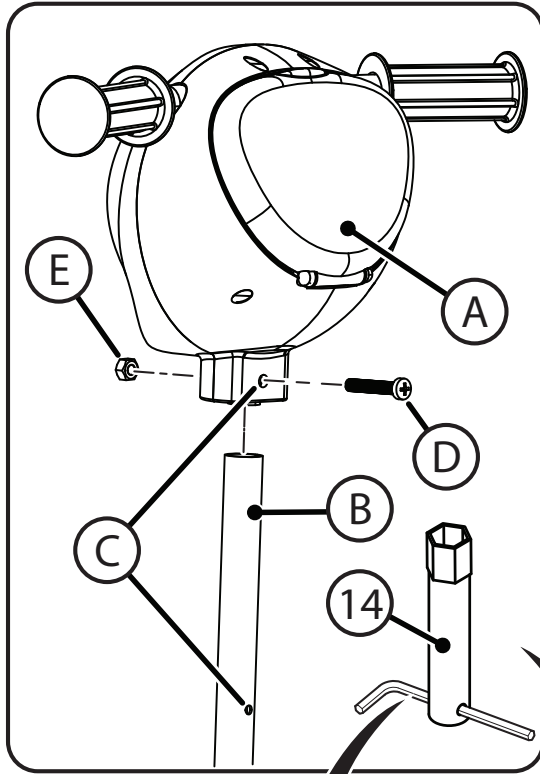
STEPS:

NOTES:

- Make sure Fork is pointing FORWARD and Storage Head Door is facing the REAR.

1. Slide Head Unit (A) down onto Steering Tub (B) so that mounting holes line up (C).
2. Insert Screw (D) through Head Unit and Steering Tube as shown.
3. Install Nut (E) in nut recess.
4. Tighten Screw (D) securely through Nut (E).
5. Align Handlebar with Fork and tighten Clamp Bolt (F) securely using included metal Spanner Wrench (14).

NOTE: With Fork facing forward, fork tube **SLOT** will be facing the REAR.



Maintenance and Operation

Maintenance: The scooter does not require maintenance. However, the scooter should be checked periodically for any loose, broken, or worn parts. Tighten any parts that are loose, and replace any worn or broken parts immediately. Periodic cleaning will prolong the useful life of this scooter.

Do not store outside or expose Lights and Sounds unit (if equipped) to water.

Operation: The scooter is operated by placing one foot on the deck and pushing with the other foot. The foot used to propel the scooter is also used to stop the scooter. Steering is accomplished by turning the handlebar.