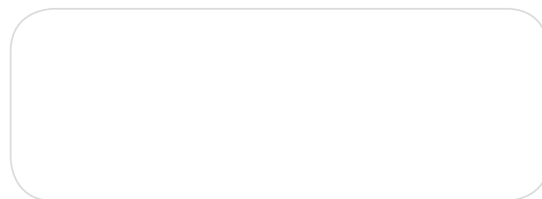


Pro Aluminum Scooter

Owner's Manual



**This manual contains important safety, assembly, operation
and maintenance information.
Please read and fully understand this manual before operation.
Save this manual for future reference.**

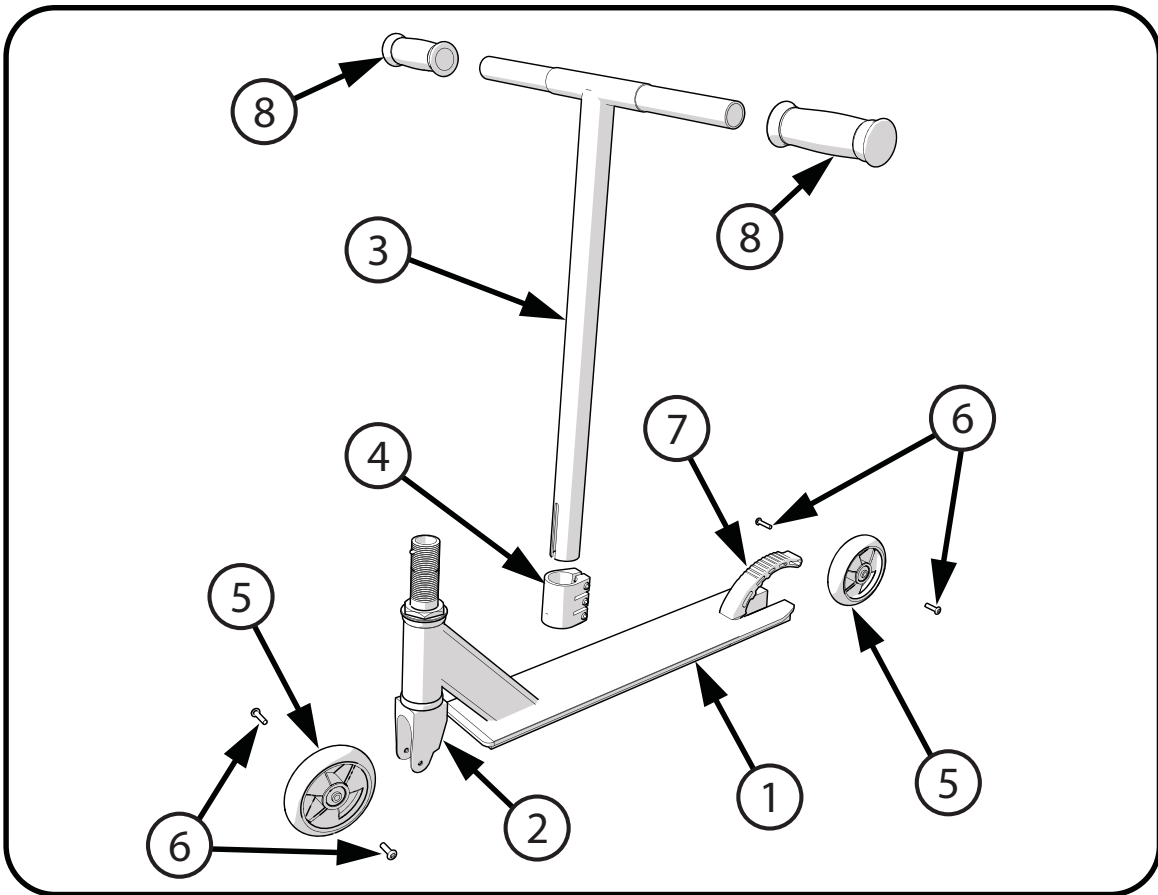


Index

ENGLISH

- Assembly Instructions 3
- Safety Information 4
- Operation 6
- Maintenance 6
- Warranty 7

Parts List

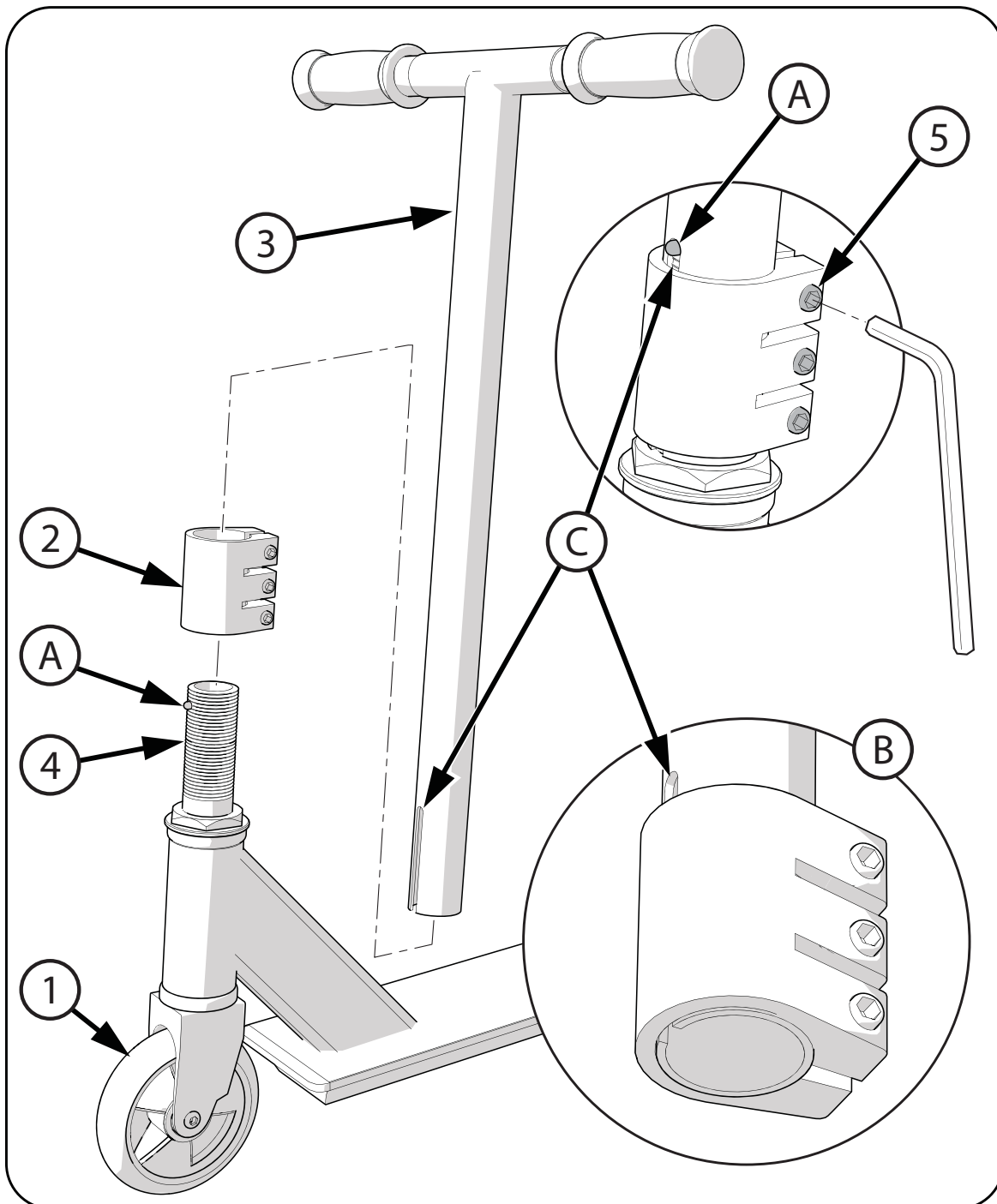


	Description
1	Frame Deck
2	Fork Assembly
3	Handlebar
4	Handlebar Clamp
5	Wheel (x2)
6	Wheel Hardware
7	Fender/Brake
8	Handlebar Grip (x2)

ASSEMBLY INSTRUCTIONS

Note: Clamp (2) may be pre installed from factory on Handlebar Post (3) and may need to be loosened before assembly.

1. Make sure the Front Wheel (1) and Lock Button (A) are facing forward as shown.
2. Place Clamp (2) onto Handlebar Post (3) so that Clamp is even with bottom of Handlebar Post (View B) and Slot (C) is facing forward.
3. Slide Handlebar and Clamp onto Threaded Steering Tube (4) until Lock Button (A) snaps into top of Cutout Slot (C).
4. Tighten Clamp Screws (5) evenly and securely so that the Handlebar does not move.



SCOOTER SAFETY INFORMATION

Scoters, like all wheeled vehicles, will provide safe, enjoyable transportation and recreation when used and maintained properly. Like bicycling, skateboarding, and in-line skating, riding a scooter can be dangerous even under the best of circumstances. We do not want you to get hurt. Please follow these safety rules.



This symbol is important. It is the WARNING symbol. The warning symbol precedes safety instructions. Make sure the rider understands these instructions. Failure to follow these instructions may result in injury to the rider or to others, or damage to the product.



WARNINGS TO AVOID SERIOUS INJURY:

General:

- Adults must assist children with assembly and all adjustments.
- Adult must supervise a child using the scooter.
- This product should only be used by persons 8+ years.
- Maximum weight is 200 lbs (90.7Kg).
- Brake will get hot from continuous use. Do not touch after braking.
- Do not perform stunts or jumps with the product. This can result in injury to the rider and damage to the unit.
- Do not attach a motor to the scooter.
- Not suitable for children under 36 months as foam pieces may break off causing a choking hazard.

Protective equipment:

- Protective equipment should be worn.
- Always wear a properly fitted CPSC or ANSI approved helmet when riding the scooter and keep the chinstrap securely fastened.
- Wear equipment such as helmet, knee pads, elbow pads, wrist guards and gloves.
- Do not ride without shoes.
- Do not ride wearing anything that obstructs visibility or hearing.

Usage Warnings:

- Not to be used in traffic.
- Ride on smooth paved surfaces away from motor vehicles. Not for use on roads.
- Do not ride at night, dusk, or at times of limited visibility.
- Never ride with more than one person.
- Avoid sharp bumps, drainage grates, and sudden surface changes. Scooter may suddenly stop.
- Avoid streets and surfaces with water, sand, gravel, dirt, leaves, and other debris. Wet weather impairs traction, braking and visibility.
- Avoid excessive speed associated with downhill rides. It may be difficult to stop or maneuver quickly. Maximum recommended speed is 6 MPH (10 KPH).
- Obey all local traffic and scooter riding laws and regulations.
- Watch out for pedestrians.

SCOOTER SAFETY INFORMATION - continued



WARNINGS - continued:

- Do not ride on steep hills, uneven sidewalks or near steps.
- Do not push or pull Scooter with another vehicle.

Practice:

- Practice riding in large, flat areas.
- Know your limits. Be familiar with your scooter and your abilities. Use common sense.
- Use with caution, since it requires great skill, so as to avoid falls or collisions causing injury to the user or third parties.


Before Each Ride:

- Check and secure all fasteners.
- Check operation of the brake.
- Replace worn or broken parts immediately.
- Check handlebar hand grip or tube end plugs. These should be replaced if damaged as bare tubes have been known to cause injury.
- All products with capped handlebar ends should be checked regularly to ensure that adequate protection for the ends of the handlebars are in place.

If you have any questions regarding the operation of this product, please refer to this owner's manual or contact customer service.

OPERATING THE SCOOTER

The scooter is operated by placing one foot on the deck and pushing with the other foot. On some models the rear fender is hinged for use as a brake (fig 08). On other models where the rear fender is not hinged, the foot used to propel the scooter is also used to stop the scooter. This is also the secondary brake method for models with hinged fender. Steering is accomplished by turning the handlebar.

 **WARNING:** Always wear shoes when riding the scooter.

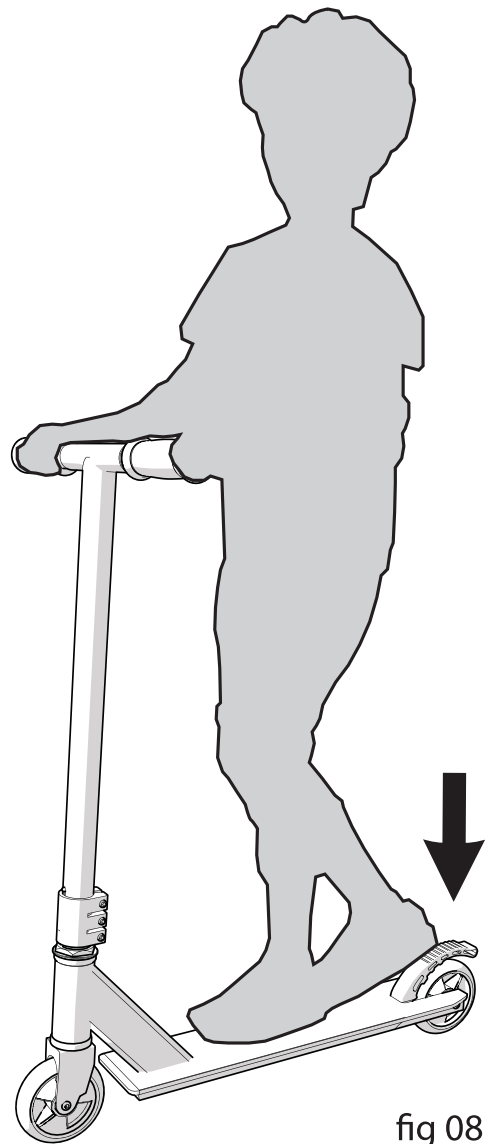


fig 08

MAINTENANCE

The scooter does not require maintenance. However, the scooter should be checked periodically for any loose, broken, or worn parts. Tighten any parts that are loose, and replace any worn or broken parts immediately. Periodic cleaning will prolong the useful life of this scooter.

LIMITED WARRANTY

Your purchase includes the following limited warranty, which is in lieu of all other express warranties. This warranty is extended to the initial purchaser only. Warranty registration is not required. This warranty gives you specific legal rights: you may have other rights, which vary from state to state.

The scooter and its component parts are under warranty to be free from faulty materials and workmanship from the date of the original purchase as follows:

- Deck - lifetime
- Fork - one year
- All other parts- six months
- Wheels - no warranty
- All parts are subject to the Conditions of Warranty below.

How do you get service?

Contact Huffy Consumer Service.

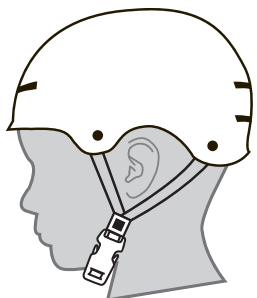
See included list for Customer Contact information.

CONDITIONS OF WARRANTY

- It is the responsibility of the original consumer to ensure all parts included in the factory sealed carton are properly installed and that all functional parts are working properly.
- This scooter has been designed for general transportation and recreational use. This warranty shall become immediately null and void if you do any of the following: Rent the scooter; sell the scooter; give away the scooter; or, use scooter in ways conflicting with warnings.
- The user assumes all risk of personal injuries, damage to, or failure of the scooter and any other losses if the scooter is altered in any way or if the scooter is used for stunt riding, ramp jumping, acrobatics or similar activities, or is towed by another person or vehicle. Any of the foregoing will invalidate this warranty.
- This warranty does not cover ordinary wear and tear, damage caused by improper storage of the scooter, shipping damage, damage caused either accidentally or deliberately by you or another, and damage caused as a result of using the scooter other than for its intended purpose.



WARNING: ALWAYS WEAR YOUR HELMET WHEN RIDING THIS PRODUCT!



CORRECT



INCORRECT

- Helmet should sit level on your head and low on your forehead
- Adjust the strap sliders below the ear on both sides.
- Buckle the chin strap. Adjust strap until it is snug.
- No more than two fingers should fit between the strap and your chin.
- A proper fitting helmet should be comfortable and not rock forward/backward or side to side.
- Always read the user manual that comes with your helmet to make sure it is fitted and attached properly to the wearer's head according to the fitting instructions described in the user manual.

Check www.Huffy.com for the current contact information

H Helmet EN 100212 i0027